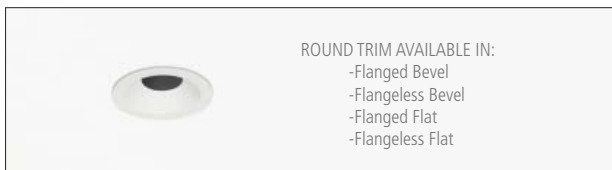




3" Square LED Low-profile Downlight with Flanged Bevel Trim / Tech Lighting Lenox Pendant

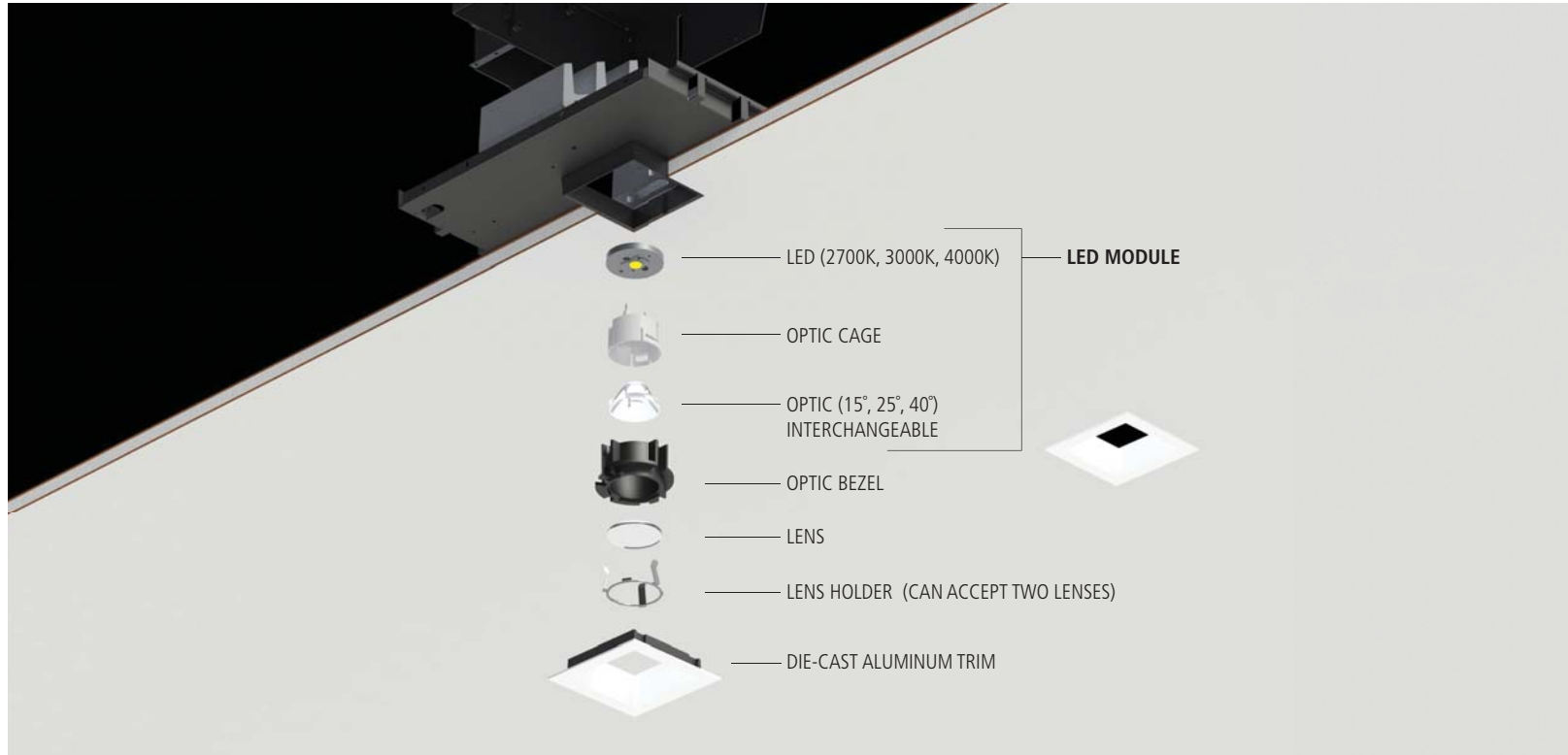
## ELEMENT 3" LED Low-Profile Downlight



Small aperture LED downlight with architectural appearance. 3.5" tall for shallow ceiling installations. LED module and optics are modular for ease of replacement.

# ELEMENT

## ELEMENT 3" LED Low-Profile Downlight



### PRODUCT DETAILS

#### SPECIFICATIONS

- Output: 856 net lumens
- Power Consumption: 18 watts
- Efficacy: 48 net lumens/watt
- Color Temperature: 2700K, 3000K or 4000K
- CRI: 86
- Center Beam Candle Power:
  - 15°: 5352 CBCP
  - 25°: 3147 CBCP
  - 40°: 1481 CBCP
- Life: 50,000 hours to 70%
- No UV rays
- Dimmable to 10% with most standard incandescent dimmers
- Minimum Waste: heat sink stays with fixture at end of LED module life
- No mercury and ROHS compliant
- 5-year Warranty

#### TRIM OPTIONS

Die cast aluminum with minimal thickness. Lensed or open aperture. Lensed and shower aperture include Solite™ soft focus lens at aperture; secured with spring. Back of all trims painted matte black. Available in antique bronze, black, satin nickel, white. White can be field painted to match adjacent finishes. Accommodates up to 2.5" ceiling thickness, depending on trim.

#### LAMP

Field-replaceable proprietary 18 watt LED module. Three interchangeable optics: 15°, 25° and 40°. Accepts two optical controls with included Lens Holder in addition to one trim mounted lens.

#### HOUSING

3.5" ceiling opening. Constructed of heavy gauge cold rolled steel and die cast plaster plate (flangeless only) with durable matte black powder coat finish to maintain dark aperture. Non-IC airtight includes integral junction box approved for branch circuit through wiring. ETL listed. Damp listed. Shower version wet listed. 3.5" depth, designed for shallow ceiling/plenum installations.

#### POWER SUPPLY

18 watt isolated; Dimmable digital logic controller operated in constant current mode. Dimmable with most standard incandescent dimmers. 120 volt input.

#### INSTALLATION

Includes butterfly brackets that attach to the side of the housing and are vertically adjustable with a wing nut. Also includes steel nailer bars. Integral gunsights for positioning with laser levels or string ensure consistent alignment during installation. Flangeless trim units include die cast plaster plate with no-fill collar that installs after the ceiling to prevent cracking by unifying the plate, ceiling, and housing. Plaster plate is to be mudded over directly up to the aperture for seamless appearance.

### ORDERING GRIDS

#### HOUSING

PRODUCT SERIES	CEILING APPEARANCE	TRIM STYLE	LAMP	BEAM SPREAD	FUNCTION	HOUSING RATING
E3R ELEMENT 3" ROUND	F FLANGED	B BEVEL	-L2 2700K	1 15°	D DOWN	S SHALLOW NON-IC AIRTIGHT
E3S ELEMENT 3" SQUARE	L FLANGELESS	F FLAT	-L3 3000K -L4 4000K	2 25° 4 40°		

#### TRIM

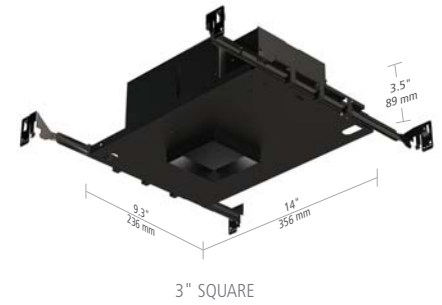
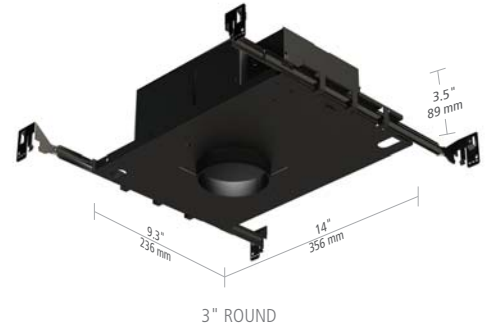
PRODUCT SERIES	CEILING APPEARANCE	TRIM STYLE	APERTURE	FINISH
E3R ELEMENT 3" ROUND	F FLANGED UP TO 1" CEILING THICKNESS	B BEVEL	-O NO LENS	Z ANTIQUE BRONZE
F15 FLANGED	1.1"-1.5" CEILING THICKNESS	F FLAT	-H SHOWER	B BLACK
E3S ELEMENT 3" SQUARE	F20 FLANGED 1.6"-2.0" CEILING THICKNESS		-L LENSED	S SATIN NICKEL
F25 FLANGED	2.1"-2.5" CEILING THICKNESS			W WHITE
L FLANGELESS	UP TO 1" CEILING THICKNESS			

## HOUSING HEAT SINK ASSEMBLY



Note: Production heat sink will be painted matte black

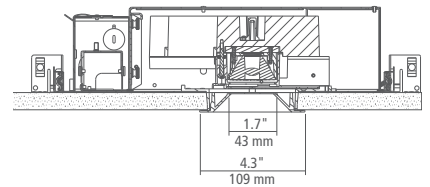
## HOUSING



## LED LAMP MODULE ASSEMBLY



- Interchangeable optics to control beam spread
- Lens holder ships standard and accepts up to two optical controls



NON-IC AIRTIGHT, SHOWN AS FLANGED

# ELEMENT

7400 Linder Ave  
Skokie, IL 60077  
T 847 410 4400  
F 847 410 4500

[www.element-lighting.com](http://www.element-lighting.com)



© 2011 Tech Lighting, L.L.C. All rights reserved. The "Element" graphic is a registered trademark of Element. Element reserves the right to change specifications for product improvements without notification.



921E3SLEDLPR