



TOKISTAR® LIGHTING INC.

Reveler

New from Tokistar

Reveler™ Provides Distinctive Light on Building Facades.

Tokistar Reveler™ features many of the most popular and unique virtues of other Tokistar Lighting Systems. The LED modules are replaceable and operate from industry-standard 12 VAC magnetic transformers.

Reveler is perfectly suited for lighting facades of buildings, and easily adapted to many other applications. Options include a spread lens and the choice of 3 different white color temperatures in addition to our signature pastel-blue color.



How to Specify

RV - 50 - 3000 - SP

LED Spacing		LED Color		Lens	
Code	Spacing	Code	Color	Code	Lens
50	2"	2700	2700K	SP	Spread
100	4"	3000	3000K	120D	120°
150	6"	5500	5500K		
		BL	Blue		

TOKISTAR® LIGHTING INC.

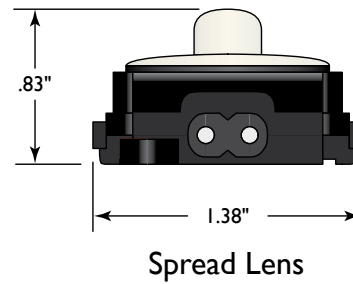
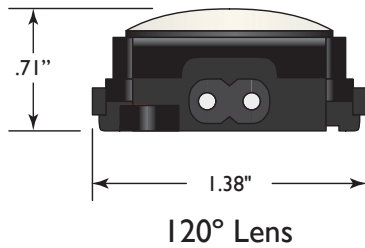
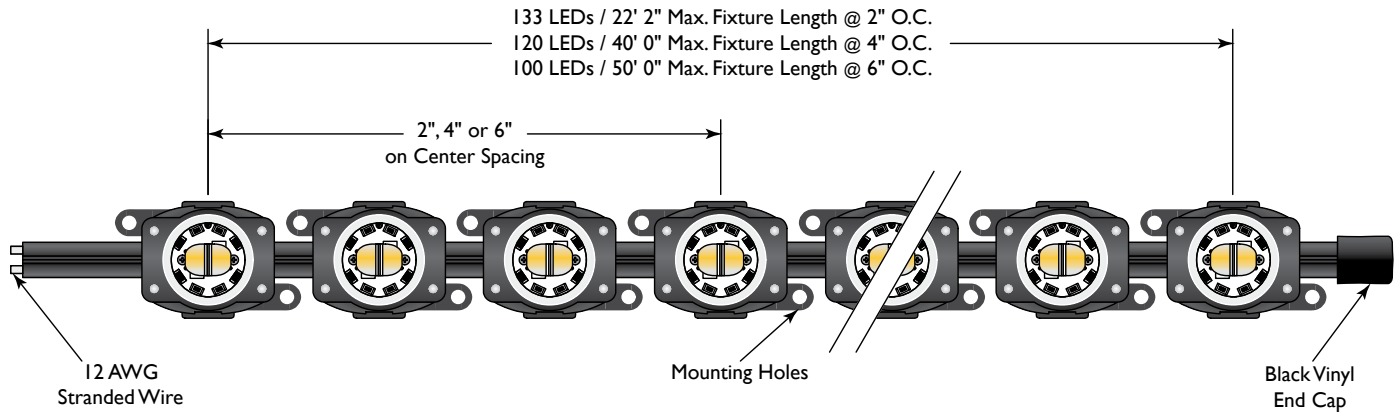
1015 E. Discovery Lane • Anaheim, CA 92801

Tel: 714.772.7005 • Fax: 714.772.7014 • Toll free in U.S.A.: 877.340.7633
E-mail: info@tokistar.com • Web site: www.tokistar.com



Reveler Specifications

TOKISTAR® LIGHTING INC.



Specifications					
Color	Voltage	Watts	CRI Value	Rating	Lens
2700K	12 VAC	1.8 per LED	85	IP66	120° & Spread Lens
3000K	12 VAC	1.8 per LED	85	IP66	120° & Spread Lens
5500K	12 VAC	1.8 per LED	85	IP66	120° & Spread Lens
Blue	12 VAC	1.8 per LED	N/A	IP66	120° & Spread Lens

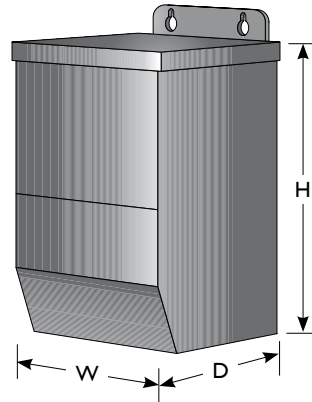


Transformers

Magnetic Transformers

Tokistar magnetic transformers operate from a 120 VAC/60 Hz input and are fully dimmable. The 12 Volt secondary outputs have inherent circuit protection. Larger capacity transformers have magnetic breakers to prevent nuisance tripping. Transformers are provided in enclosures rated Nema 3R and are suitable for wet locations. Transformers should be installed in an accessible location where there is free air circulation.

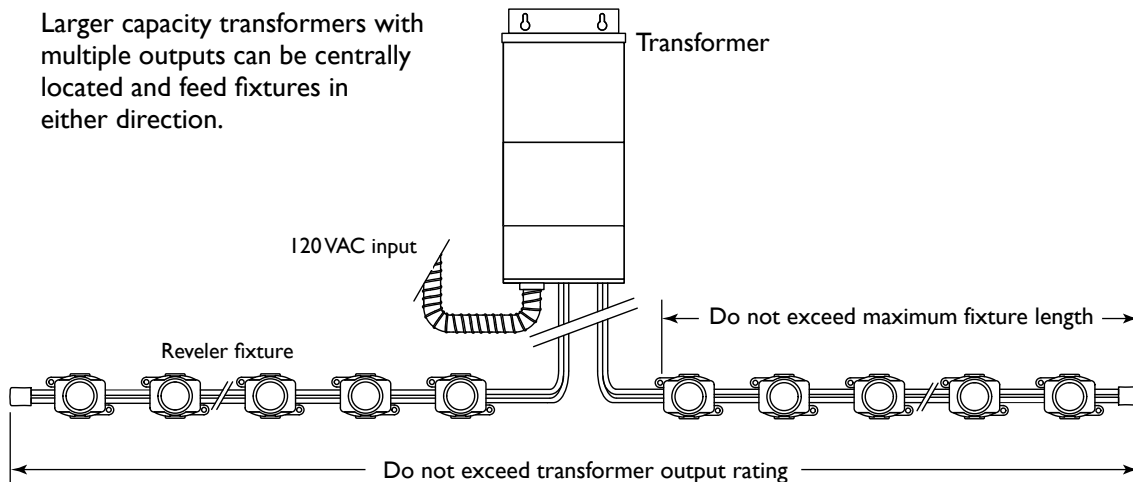
Part #	Outputs	H	W	D	Weight
T12-100	1 @ 100Watt	9"	3"	3"	5 lbs
T12-150	1 @ 150Watt	9"	3"	3"	5 lbs
T12-250	1 @ 250Watt	9.5"	4.5"	3.5"	8 lbs
T12-300	1 @ 300Watt	9.5"	4.5"	3.5"	8 lbs
T12-500	2 @ 250Watt	10.5"	4.5"	4.5"	12 lbs
T12-600	2 @ 300Watt	10.5"	4.5"	4.5"	15 lbs
T12-750	3 @ 250Watt	10.5"	4.5"	4.5"	15 lbs
T12-1000	4 @ 250Watt	11.5"	7"	5"	28 lbs
T12-1200	4 @ 300Watt	11.5"	7"	5"	28 lbs



Sizes and weights shown are approximate and subject to change without notice.

Consult factory for transformers with inputs of 230 or 277 VAC.

Larger capacity transformers with multiple outputs can be centrally located and feed fixtures in either direction.



Dimming

All transformers are fully dimmable with the appropriate style of dimmer suitable for use with magnetic transformers. Some dimmers may require certain minimum loads be met. For further information, consult with the dimmer manufacturer.



TOKISTAR® LIGHTING INC.

1015 E. Discovery Lane • Anaheim, CA 92801

Tel: 714.772.7005 • Fax: 714.772.7014 • Toll free in USA: 877.340.7633

Email: info@tokistar.com • Website: www.tokistar.com