



IBISS LED Head Single Wall Wash

IBISS LED Head

Constructed of die cast aluminum, the IBISS heads are designed to celebrate what's achievable with LED resulting in a form that would never be possible with traditional lamping. Going beyond simply incorporating LED, the IBISS heads are beautiful in their minimalist simplicity and deliver ultimate performance.

For use on Tech Lighting's 12 Volt low-voltage systems or line-voltage systems using corresponding track adapters. Pivots vertically 330°, rotates horizontally 360°. Available in a 10 watt single or 20 watt double version. Each LED module pivots independently on the double version. Available as FLOOD or Asymmetric WALL WASH. An embedded lens helps diffuse glare and minimize shadowing while maintaining a high degree of efficiency.



IBISS LED Head 

SINGLE FLOOD

DOUBLE FLOOD

SINGLE WALL WASH

DOUBLE WALL WASH
PRODUCT DETAILS
SPECIFICATIONS

	SINGLE	DOUBLE
Input voltage:	12 volts	12 volts
Output:	600 lms	1200 lms
Power consumption:	10 watts	20 watts
Efficacy:	60lms/watt	
Color temperature:	2700K	
CRI:	80	
Life:	50,000 hrs 70%	
Dimming:	To 10% with low-voltage electronic dimmer	
Warranty:	5 years	

SYSTEM

Available for FreeJack, MonoRail and Two-Circuit MonoRail. For use on T~TRAK, order FreeJack version and T~TRAK FreeJack LED Connector (sold separately).

FINISH

Satin Nickel and Antique Bronze.

LAMP

Dedicated 10 watt or 20 watt LED assembly.

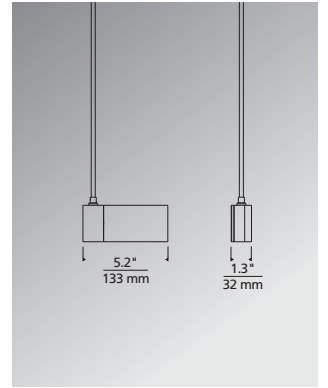
POWER SUPPLY

Integrated LED driver. Dimmable with low-voltage electronic dimmer.

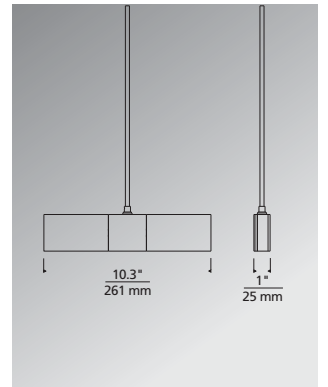
ORDERING GRIDS

700	SYSTEM	IBIS	STYLE	WATTAGE	TYPE	LENGTH (A)	FINISH
FJ	FREEJACK	F	FLOOD	10 10 WATT	L2 LED	03 3"	Z BRONZE
MO	MONORAIL	W	WALL WASH	20 20 WATT	2700K	06 6"	S SATIN NICKEL
MO2	TWO-CIRCUIT MONORAIL					12 12"	
						18 18"	

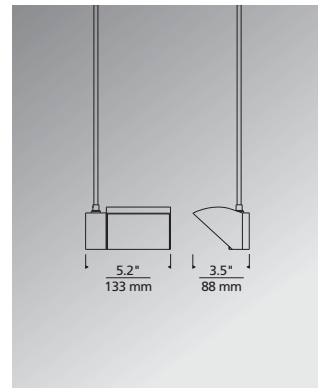
INFINITE POSSIBILITIES



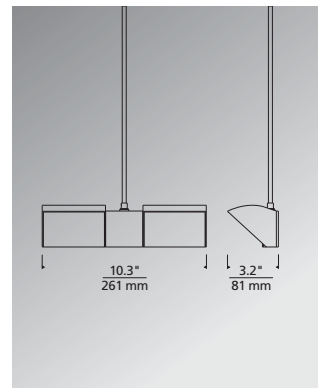
SINGLE FLOOD



DOUBLE FLOOD



SINGLE WALL WASH



DOUBLE WALL WASH



TECH LIGHTING®

7400 Linder Ave
Skokie, IL 60077
T 847 410 4400
F 847 410 4500

www.techlighting.com



© 2011 Tech Lighting, L.L.C. All rights reserved. The "Element" graphic is a registered trademark of Element. Element reserves the right to change specifications for product improvements without notification.

